

ACE

Reach Truck

Capacity : 1.2 T- 2.0 T

High Performance & rugged
Reach Truck

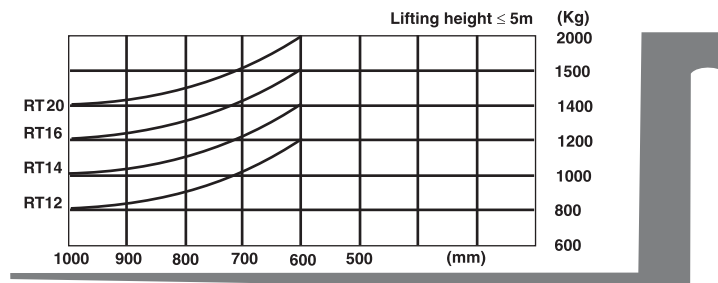
ACE **INDIA'S NO. 1**
MOBILE & TOWER CRANE CO.



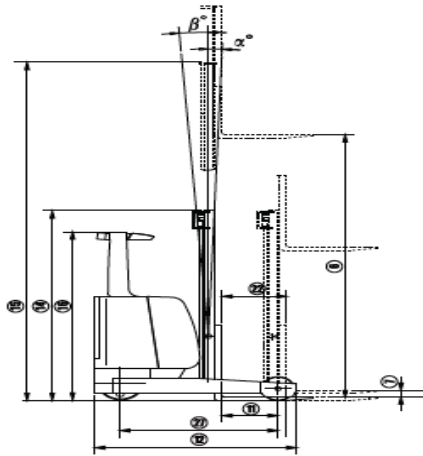
*Nothing beats an **ACE***

Properties		Description	Unit	Technical Specifications				
General	1	Manufacture		ACE				
	2	Model		RT12	RT14	RT16	RT20	
	3	Power type		Battery				
	4	Rated capacity	Kg	1200	1400	1600	2000	
	5	Load center	mm	600				
Dimensions	6	Lift height (Standard)	mm	3000				
	7	Free lift height (Standard)	mm	340				
	8	Fork size L x W x T	mm	1070 x 120 x 40				
	9	Fork spread (outside) Min./ Max.	mm	220 / 896				
	10	Mast tilt range(refer to mast table)	deg	2 / 4				
	11	Axle Centre to Fork Face	mm	390	330			
	12	Overall Dimensions	Length to Face of Fork	mm	1802	1882		
	13		Overall Width	mm	1240	1272		
	14		Mast Lowered Height	mm	2100			
	15		Mast Extended Height	mm	3565			
	16		Overhead Guard Height	mm	2075			
17	Turning Radius (Outside)	mm	1675	1755				
18	Min.Right Angle Stacking Aisle Width	Pallet W x B =1200 x 1000	mm	2825	2905			
19		Pallet W x B = 800 x 1200	mm	2600	2680			
Performance	20	Speed	Travel	Km/h	10.2			
	21		Lifting (Full Load)	mm/sec	260	220	210	
	22	Mast Reach	mm	602	542			
	23	Max.Gradeability (Full Load)	%	10				
	24	Self Weight	Kg	2850	3000	3250		

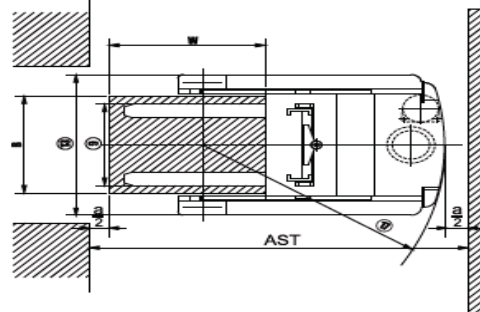
LOAD CHART



MAX FORK HEIGHT (mm)	LOAD CAPACITY @ 600mm MFH (KGS)				MAST LOWERED HEIGHT (mm)	MAST EXTENDED HEIGHT (mm)	FREE LIFT (mm)	
	RT12	RT14	RT16	RT20			1.2T - 1.6 T	2.0T
6000	1000	1200	1400	1800	2665	6955	1775	1720
6500	900	1100	1300	1600	2815	7455	1975	1870
7000	850	1000	1200	1400	2975	7955	2155	2030
7500	750	900	1100	1200	3145	8455	2315	2200
8000	600	700	900	1000	3310	8955	2485	2365
8500	450	500	700	800	3510	9455	2655	2565



DIMENSIONS

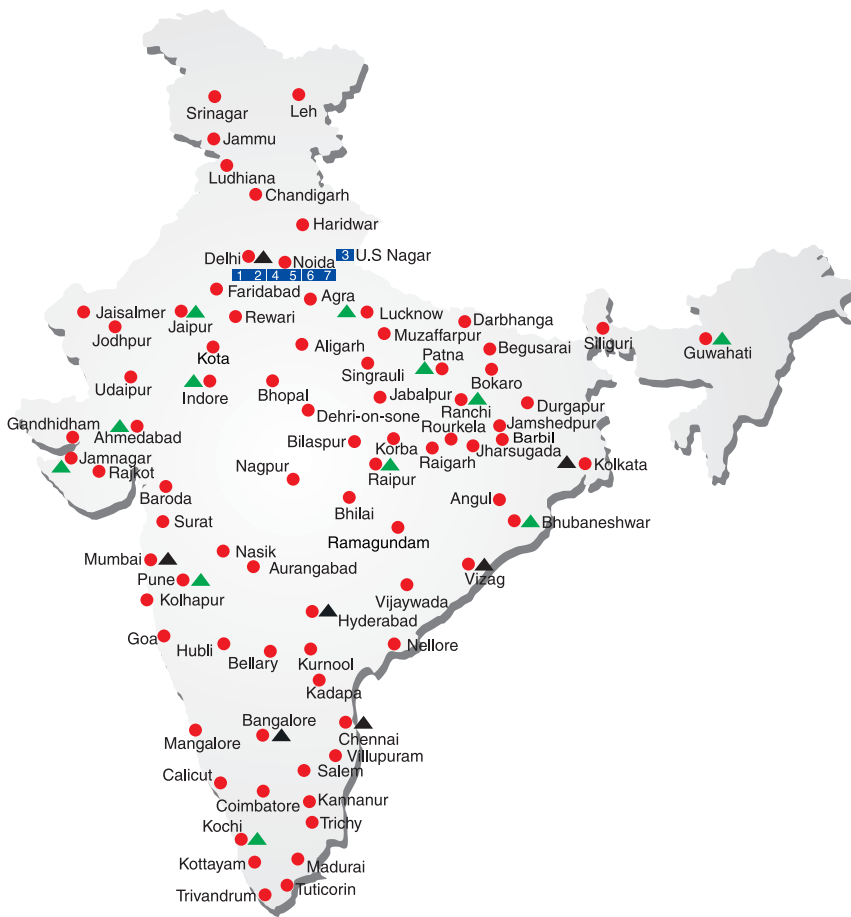


Properties		Description		Unit	Technical Specifications			
Wheels		Model			RT12	RT14	RT16	RT20
	26	Wheels	Front	mm	285 x 100			343 x 108
	26		Drive	mm	343 x 114			
	27	Wheelbase		mm	1420			1500
	28	Ground Clearance (Minimum)		mm	70			
Drive Units & Control	29	Battery	Model		D - 400B		D - 500B	
	30		Voltage /Capacity(5HR)	V/AH	48 / 400		48 / 500	
	31		Weight (With Box)	Kg	760		900	
	32	Electric Motors	Drive	Kw	5.5			
	33		Load	Kw	12.8			
	34	Control	Manufacture		CURTIS			
	35		Type		AC			

Features :-

- **Adjustable Drive Seat** Comfortable Position for all Drivers.
- **Electronic Fork Control** Cushioning Effect Enables High lift / lowering Speed but Smooth Operation.
- **Panoramic View** Excellent all-Around Visibility for Ease to Working.
- **Well Placed Control** Ensure Comfort of Operation.
- **Service & Maintenance** All Major Service Components like Motors, Gearbox Brakes, Pump and Steering are Easily Accessible.

ALL INDIA NETWORK



SPARE PARTS & SERVICE

ACE has all India Sales and Service network operating out of all the major cities. These outlets are fully equipped to provide genuine spare parts and services by company trained engineers. These outlets are further supported by company officials based at Delhi, Mumbai, Chennai, Kolkatta, Ahmedabad, Surat, Pune, Jaipur, Chandigarh, Ranchi, Raipur, Indore, Bhubneshwar, Lucknow, Jamnagar, Hyderabad, Bangalore, Guwahati, Patna, Vizag & Kochi.

CUSTOMER CARE

TOLL FREE No

1800 1800 004

- WORKS
- ▲ REGIONAL OFFICES
- ▲ AREA OFFICES
- SALES AND SERVICE DEALERS



MARKETING H.Q.

4th Floor, Pinnacle, Surajkund, NCR-121009
Ph. : +91-129-4550000, Fax : +91-129-4550022
E-mail: whe@ace-cranes.com, forklifts@ace-cranes.com

REGISTERED OFFICE

Dudhola Link Road, Dudhola, Palwal-121102, Haryana
Ph.: +91-1275-280111, Fax: +91-1275-280133
CIN : L74899HR1995PLC053860

MUMBAI OFFICE

31, "Kalpataru Court", Chembur, Mumbai - 400074
Ph.: +91-22-25206846, 25207070, Fax: +91-22-25207071
E-mail: acemumbai@ace-cranes.com

KOLKATA OFFICE

"Forma Towers" 84-A, Second Floor, AJC Bose Road,
Kolkata - 700014, Ph.: +91-33-65012050
E-mail: acekolkata@ace-cranes.com

CHENNAI OFFICE

1st Floor, "Alsa Regency", 165, Eldams Road,
Alwar Pet, Chennai - 600018
Ph.: +91-44-24314253, Fax: +91-44-24314252
E-mail: acechennai@ace-cranes.com



Action Construction Equipment Ltd.

Contact:



ACE reserves the right to alter any specifications without prior notice. Dimensions, weights & capacities mentioned herein are variable by $\pm 5\%$. Accessories if shown are not part of the Standard Equipment.

